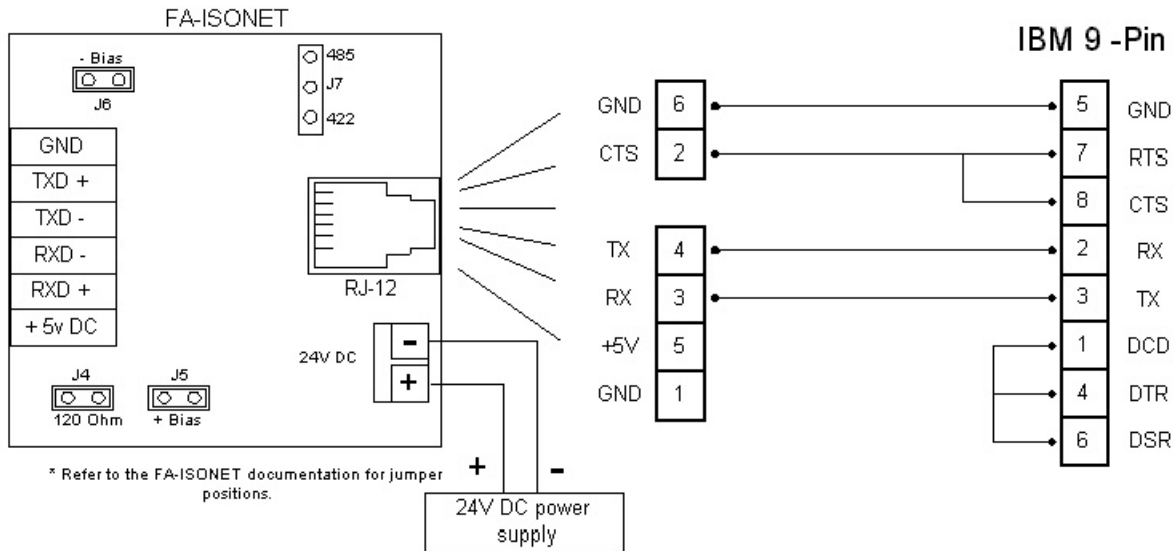




**TECHNOTES**

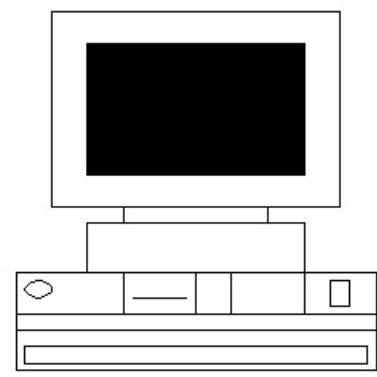
**FA-ISONET to PC wiring Diagram**

Product group:     Convertor  
 Information Type:   Communications  
 Last revised :     15 Nov, 1999



\* Refer to the FA-ISONET documentation for jumper positions.

**WARNING :** Do Not supply 24V to the Isonet if there is 5Volt power supplied through the Communication cable.



IBM PS/2

The Standard programming cable supplied by PLC Direct Loops RTS and CTS at the PC end. It does not carry the RTS line across. The FA-CABKIT does have connectors that make it easy to connect. It is listed in the PLC Direct catalog.