

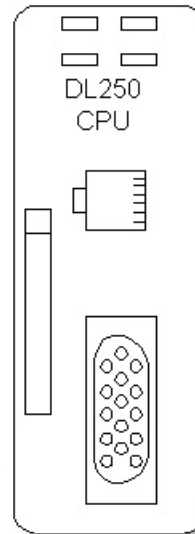


# TECHNOTES

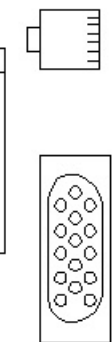
## 250 to 250 RS-485 with FA-ISONET Communications wiring Diagram

Product group: 205 series  
Information Type: Communications  
Last revised : 10 Nov, 1999

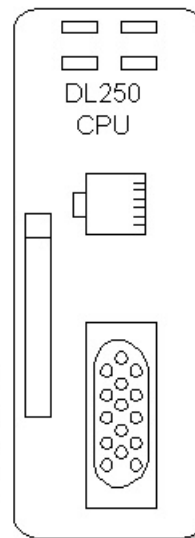
Master CPU



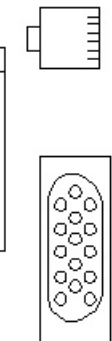
DL250  
CPU



Slave CPU

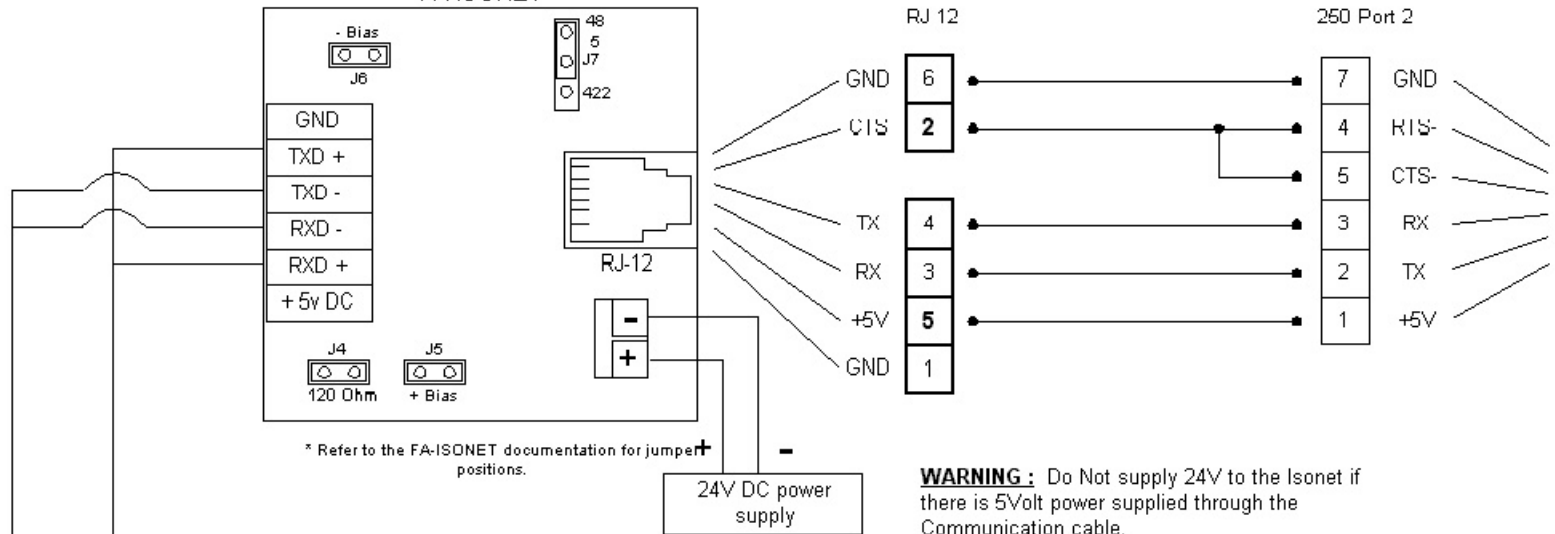


DL250  
CPU



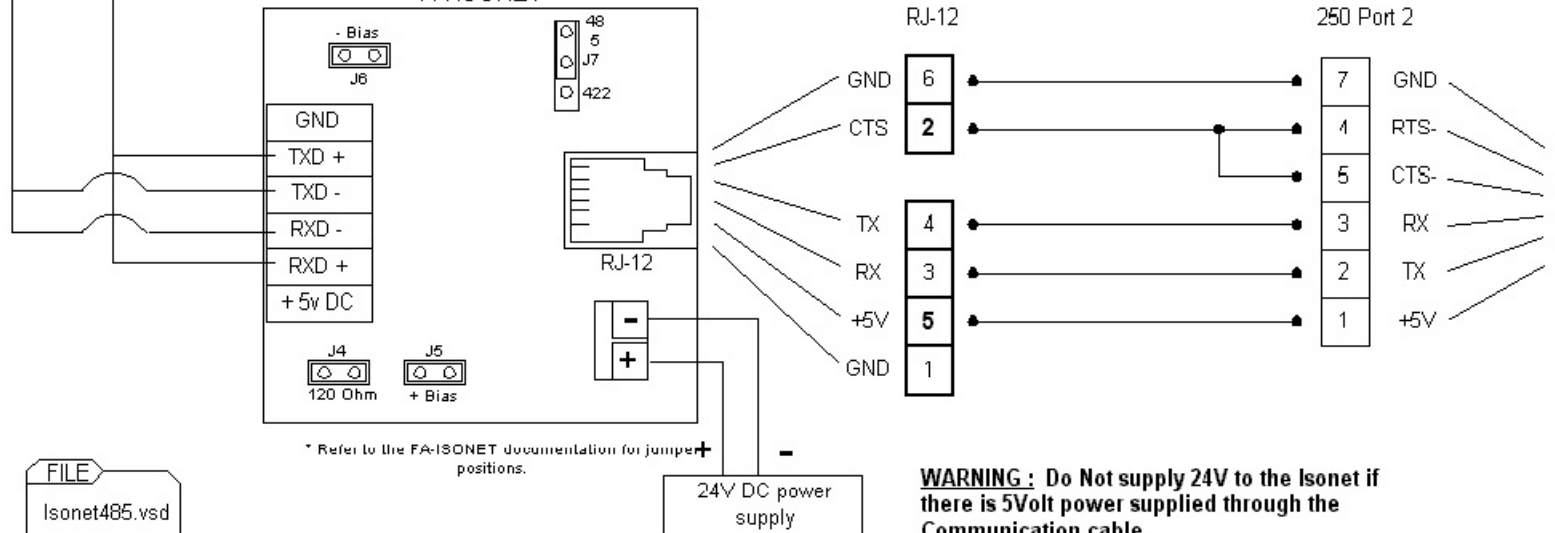
In this Diagram the FA-ISONET is being used to convert RS-232 to RS-485.  
The FA-Isonet can also convert RS-232 to RS422.( Refer to the FA-ISONET manual for settings).

### FA-ISONET



\* Refer to the FA-ISONET documentation for jumper positions.

### FA-ISONET



\* Refer to the FA-ISONET documentation for jumper positions.

FILE

Isonet485.vsd