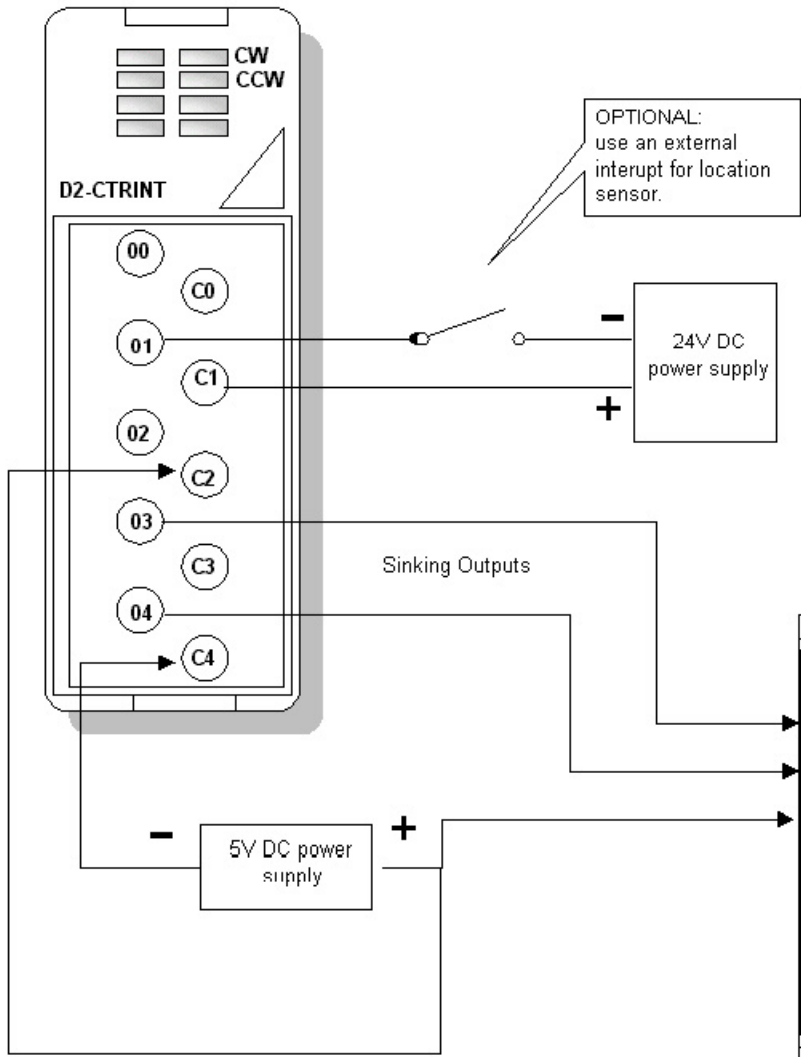




# TECHNOTES

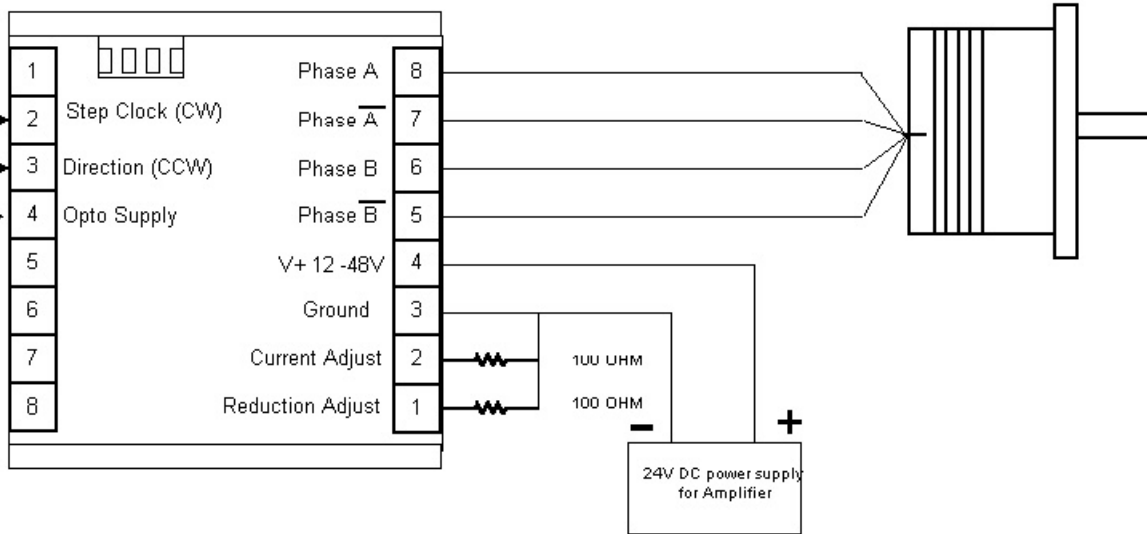
## Using D2-CTRINT with Stepper Motor/Amplifier

Product group: 205 series  
 Information Type: Pulse output/D2-CTRINT  
 Last revised : 10 Nov, 1999



Input Specifications	Inputs: 4 points, current <u>Sourcing</u> , 5KHz Maximum Min Pulse Width: 100 micro sec. Input Voltage: 12 or 24 VDC +/- 15%
Output Specifications	Outputs: 2 points, current <u>Sinking</u> , 5KHz Maximum External Power Supply Requirements : 5VDC +/- 10% Output Voltage Range: 5VDC +/- 10% Maximum load current : 30 mA

### Example Step Amplifier



Tech Support  
D2Pulse.vsd