

### Protocols and Cable Diagrams

*DirectLogic* CPUs provide many different communication port possibilities, therefore, it is helpful to know exactly which programming cable and protocol is required.

Family	CPU (or other device)	Port	Cable	Supported Protocols			
				<i>Direct</i> NET	K-Sequence	E-COM	MODBUS
<i>Direct</i> LOGIC™ DL05	DL05 (all versions)	Port 1	D2-DSCBL	•	•		•
		Port 2	D2-DSCBL	•	•		•
<i>Direct</i> LOGIC™ DL06	DL06 (all versions)	Port 1	D2-DSCBL	•	•		•
		Port 2	D2-DSCBL-1	•	•		•
<i>Direct</i> LOGIC™ DL105	DL105 (all versions)	Only one	D2-DSCBL		•		
<i>Direct</i> LOGIC™ DL205	DL230	Only one	D2-DSCBL		•		
	DL240	Top port	D2-DSCBL		•		
		Bottom port	D2-DSCBL	•	•		
	DL250-1	Top port	D2-DSCBL	•	•		•
		Bottom port	D2-DSCBL-1	•	•		•
	DL260	Top port	D2-DSCBL	•	•		•
		Bottom port	D2-DSCBL-1	•	•		•
	D2-DCM (module)	Only one	D3-DSCBL-2	•	•		•
H2-ECOM (module)	Only one		•	•	•		
<i>Direct</i> LOGIC™ DL305	DL330/DL330P	Requires DCU*	D3-DSCBL-2	•			
	DL340	Top port	D3-DSCBL-1	•			
		Bottom port	D3-DSCBL-1	•			•
	D3-DCM (module)	Only one	D3-DSCBL-2	•	•		•
	D3-350	Port 1	D2-DSCBL	•	•		•
Port 2		D3-DSCBL-2	•	•		•	
<i>Direct</i> LOGIC™ DL405	DL430, DL440	Top port (15-pin)	D4-DSCBL		•		
		Bottom port (25-pin)	D3-DSCBL-2	•	•		
	DL450	Phone Jack	D2-DSCBL	•	•		
		Top port (15-pin)	D4-DSCBL		•		
		Bottom port RS232	D3-DSCBL-2	•	•		•
		Bottom port RS422		•	•		•
	D4-DCM (module)	Only one	D3-DSCBL-2	•	•		•
	H4-ECOM (module)	Only one		•	•	•	
Slice I/O Modules	Only one	D4-DSCBL		•			

\* — requires RS232 Data Communications Unit (D3-232-DCU)

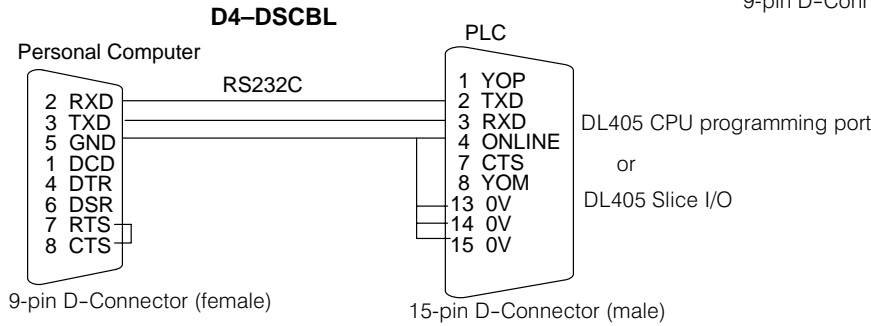
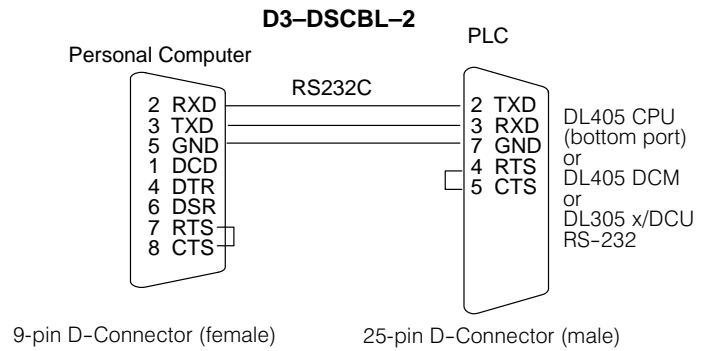
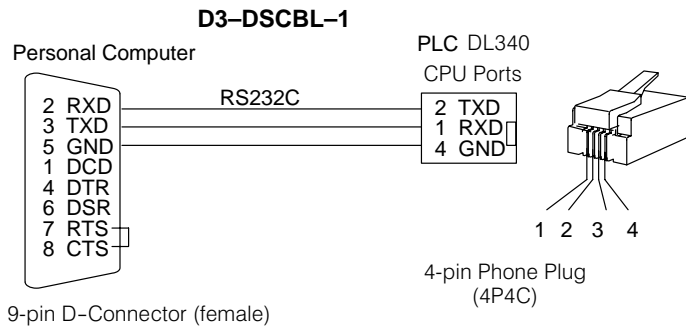
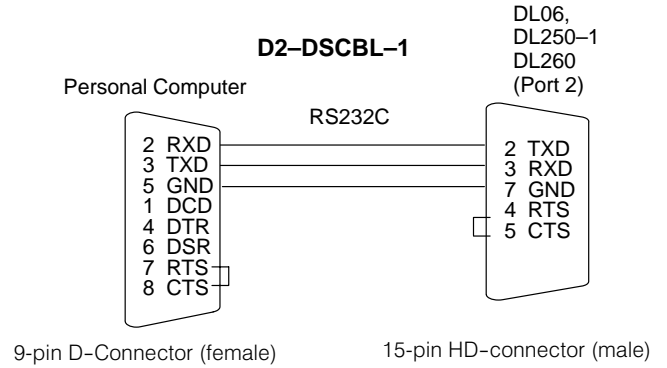
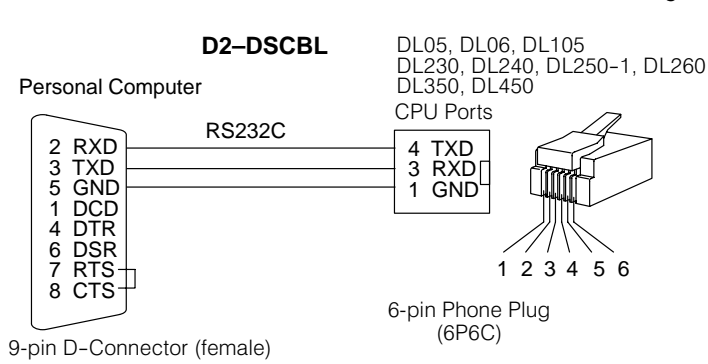
**Programming Cables and Protocols(continued)**

Family	CPU (or other device)	Port	Cable	Supported Protocols			
				DirectNET	K-Sequence	E-COM	MODBUS
GE® Series 1	IC610CPU105/106	Requires DCU*	D3-DSCBL-2	•			
TI305™ / SIMATIC® TI305™	325-07, PPX:325-07	Requires DCU*	D3-DSCBL-2	•			
	330-37, PPX:330-37	Requires DCU*	D3-DSCBL-2	•			
	325S-07 (or 325 w/ Stage Kt)	Requires DCU*	D3-DSCBL-2	•			
	330S-37, PPX:330S-37	Requires DCU*	D3-DSCBL-2	•			
	335-37, PPX:335-37	Phone Jacks	D3-DSCBL-1	•			
		If DCU is used*	D3-DSCBL-2	•			
TI405™ / SIMATIC® TI405™	425-CPU, PPX:425-CPU	Only one	D4-DSCBL		•		
	N/A, PPX:430-CPU	Top port (15-pin)	D4-DSCBL		•		
		Bottom port (25-pin)	D3-DSCBL-2	•	•		
	435-CPU, PPX:435-CPU	Top port (15-pin)	D4-DSCBL			•	
		Bottom port (25-pin)	D3-DSCBL-2	•	•		
Smart Slice™ I/O	Only one	D4-DSCBL			•		

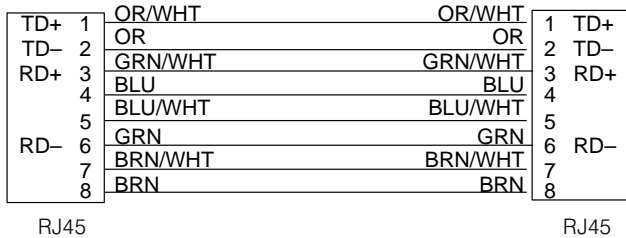
\* — requires RS232 Data Communications Unit (D3-232-DCU)

### Programming Cable Diagrams

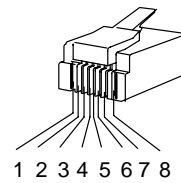
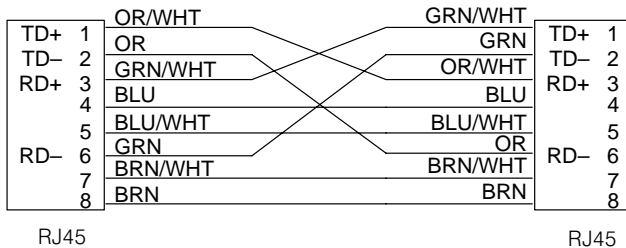
Pin labeling conforms to IBM DTE and DCE standards



### Straight-through Cable



### Crossover Cable



8-pin RJ45 Connector (8P8C)

All Ethernet and Ecom patch cables should be Category 5, UTP Cable. The diagram illustrates the appropriate wire position in the RJ45 connector.