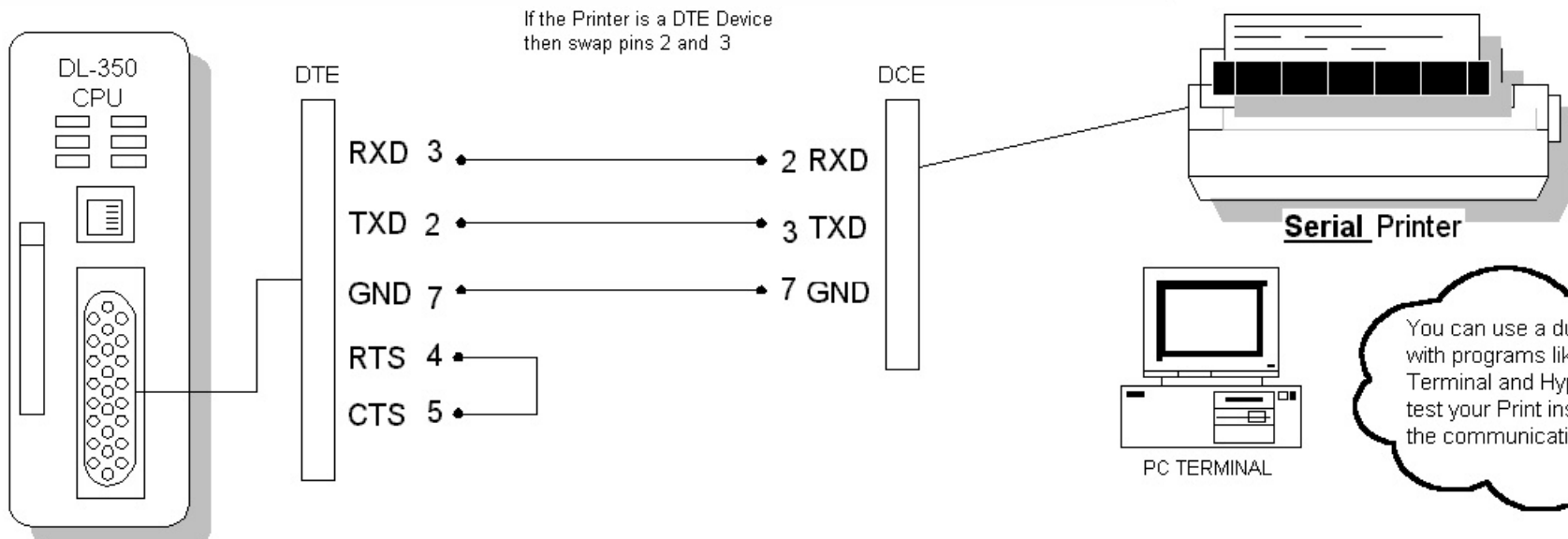




TECHNOTES

Using the D3-350 to Communicate to a printer/data terminal

Product group: 305 series
 Information Type: Communications
 Last revised : 10 Nov, 1999



You can use a dumb terminal with programs like Windows Terminal and Hyperterminal to test your Print instruction and the communication setup.

Port 2
 25-pin D-shell
 connector
 RS-232C / RS-422
 communication port

Make sure that Port 2 has been configured in the 350 CPU, and that the settings match the port on the communication device being used.
 (Baud rate, parity, data bits, etc.etc...)

NOTE: In the 305 series the 350 CPU is the only unit that supports the "PRINT" instruction .

Tech Support
 250print.vsd