



250 to Modem/ RS-232 Communications wiring Diagram

Product group: 205 series
Information Type: Communications
Last revised: 10 Nov, 1999

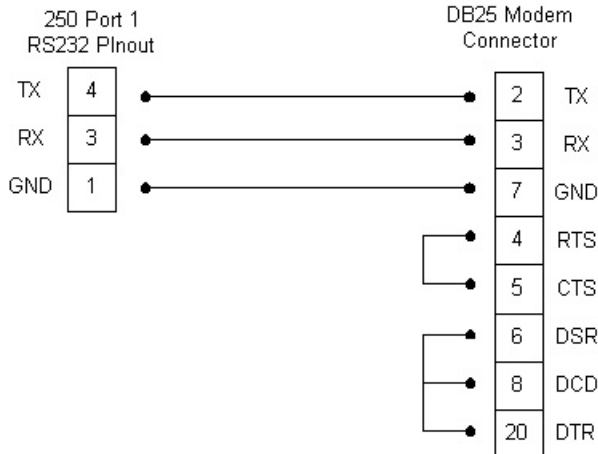
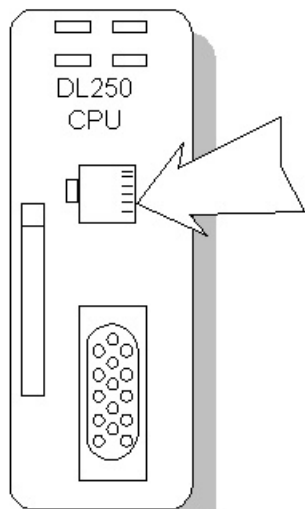
PORT 1 WIRING

Specs

6P6C phone jack connector
RS232C
9600
ODD Parity only
8 Data bits, 1 start, 1 stop bit
Asynchronous, Half Duplex, DTE

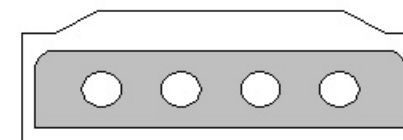
Protocols:

K-sequence slave
DirectNet slave



Port 1 can do **ODD** parity only. For **ODD** parity, the MultiTech MT2832ZDX modem with Firmware 3.13A or older will work.

Request firmware from MultiTech. Check the specs on the modem to see if it can do odd parity.



Modem

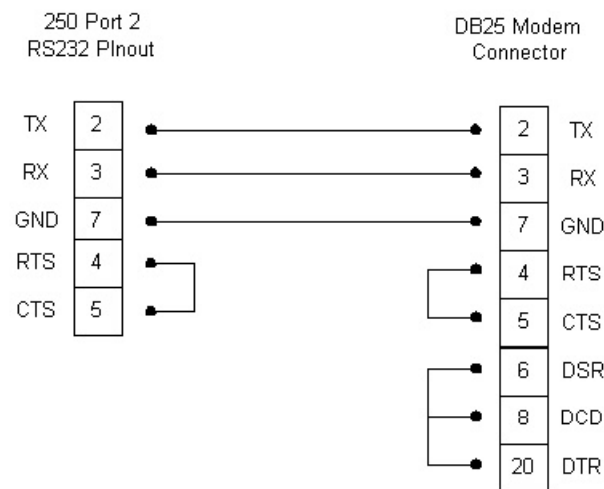
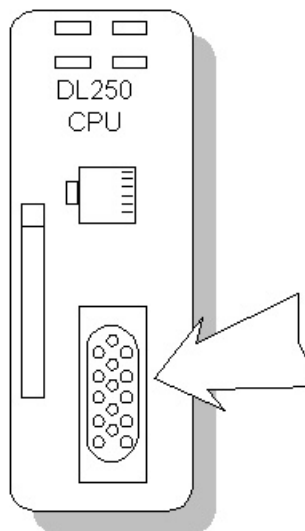
PORT 2 WIRING

Specs: Software Configurable

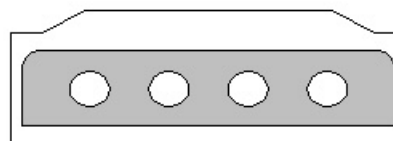
15-pin SVGA connector
RS232C / Rs422
300 / 1200 / 4800 / 9600 / 19.2K / 38.4K Baud
Parity = Odd / Even or None
Address (1-90, 1-5A Hex)
8 Data bits, 1 start, 1 stop bit
Asynchronous, Half Duplex, DTE
Remote I/O

Protocols:

K-sequence slave
DirectNet Master / Slave
Modbus RTU Master / Slave



Note: For info on modem to PLC communications refer to our Modem documentation on our Web site at www.Automationdirect.com in the tech section.



Modem

