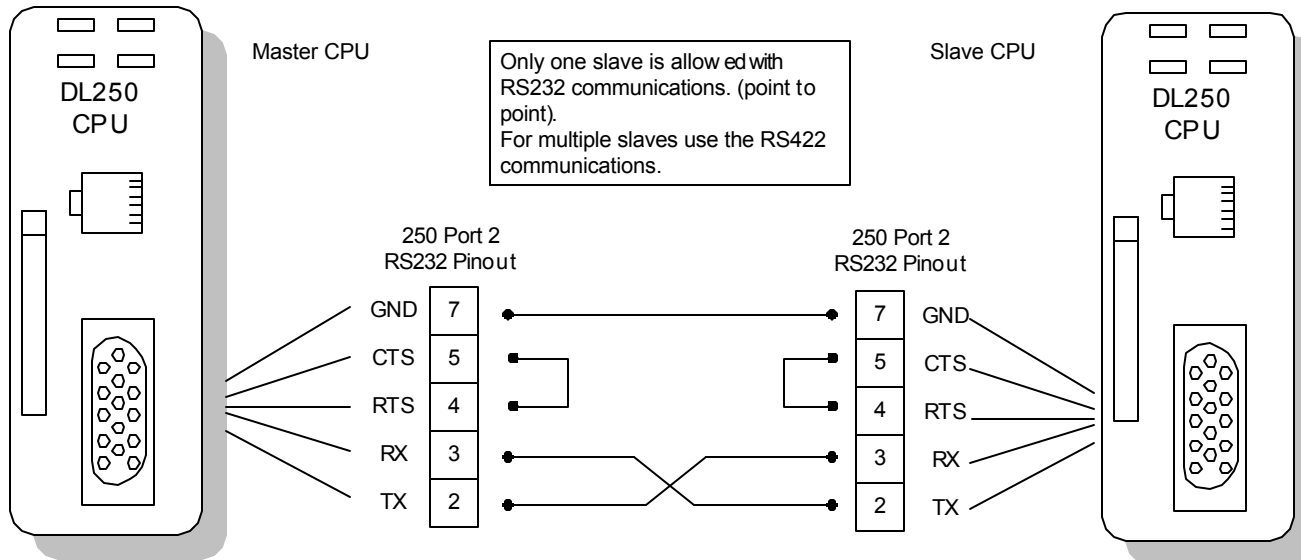




TECHNOTES

06,250(-1),260 to 06,250(-1),260 RS-232/RS422 Communications wiring

Product group: 205 series
 Information Type: Communications
 Last revised : 3 Dec, 2002



Port 2 Specs :

Software Configurable

15-pin SVGA connector
 RS-232C / RS-422
 300 / 1200 / 4800 / 9600 / 19.2K / 38.4K Baud
 Parity = Odd / Even or None
 Address (1-90, 1-5A Hex)
 8 Data bits, 1 start , 1 stop bit
 Asynchronous, Half Duplex, DTE
 Remote I/O

Protocols :

K-sequence slave
 DirectNet Master / Slave
 Modbus RTU Master / Slave

