

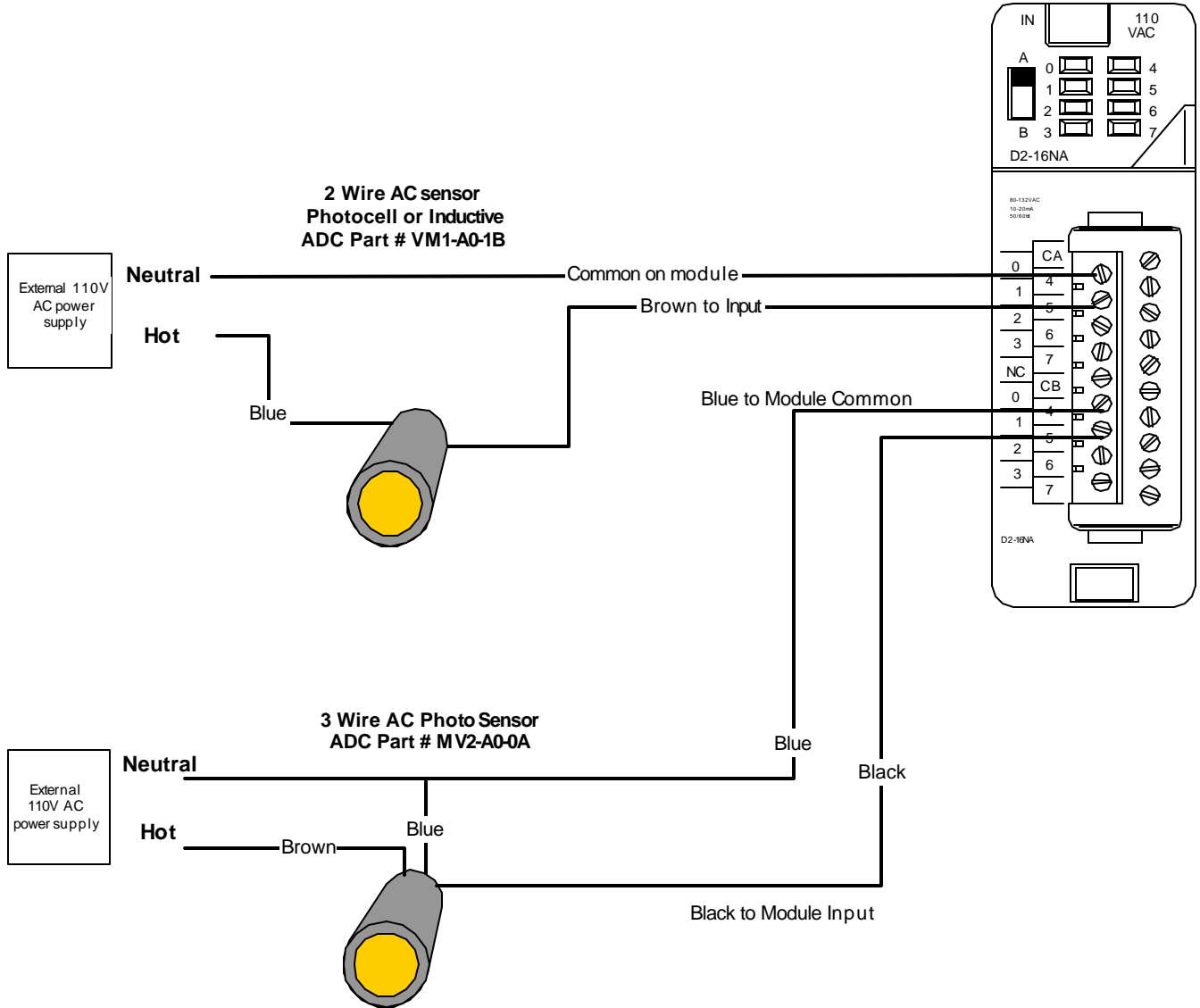


TECHNOTES

Wiring Diagram for AC Inductive and Photo type sensors with the D2-16NA

Product group: 205 series
Information Type: 16 point AC input module
Last revised: 15 Feb, 2002

Document Name: AC photo_inductive sensor.vsd



Please refer to our tech support website for more info on sensors. The FAQ section may have information that can help. Click on this link [FAQ](#)

Question : Can you tie 3 sensors in series?

Answer: Yes, but it produces a voltage drop. You can tie up to 10 together in most cases.

Question : Can I run only 2 wires of a 4-wire sensor?

Answer : You must use at least three; one can be discarded according to if you need NC or NO.