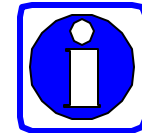




TECHNOTES

EZ-Touch EZ Text RS 422/485 wire connections to DirectLogic PLCs.

Product group: EZ- Touch EZ Text
 Information Type: Communications
 Last revised : 30 Oct, 2003



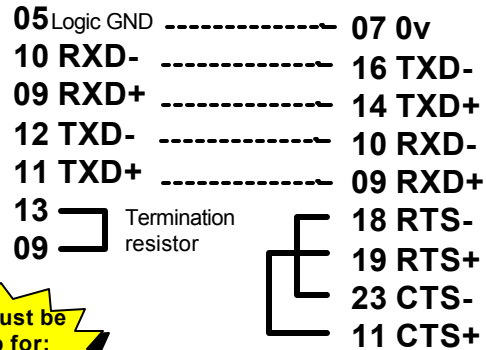
Termination Resistor basics

The termination resistor is placed between the **RXD-** and the **RXD+** terminals on the PLC side.

The Term Resistor value is based on the characteristic impedance of the cable.

Jumper pin 13 to pin 9 (**RXD+**) to enable the built in 120 ohm Termination resistor of the EZ Touch and EZ Text panels.

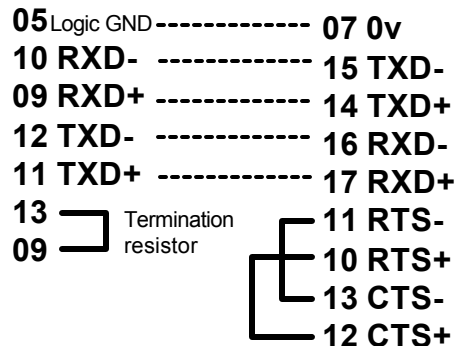
Panel **Port 1 430/440/450**
Port 2 350



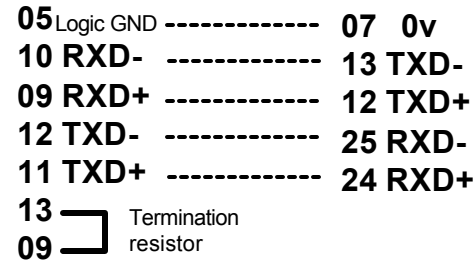
**R
S
-
4
2
2**

DCM must be setup for: DirectNET Slave HEX mode

Panel **D2-DCM**
D3-DCM
D4-DCM

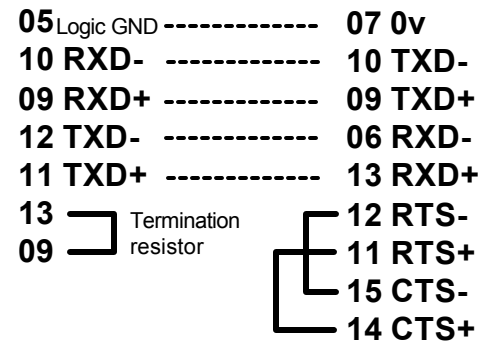


Panel **Port 3 450**



RTS and CTS is not present on this port

Panel **Port 2**
D0-06
D2-250
D2-250-1
D2-260



Note:

For RS-422/485 connections we recommend Belden 8102,9729, 9841 cable or equivalent.

THE INFORMATION PROVIDED IN AUTOMATIONDIRECT.COM TECHNOTES IS PROVIDED "AS IS" WITHOUT A GUARANTEE OF ANY KIND. These documents are provided by our technical support department to assist others. We do not guarantee that the data is suitable for your particular application, nor do we assume any responsibility for them in your application.



TECHNOTES

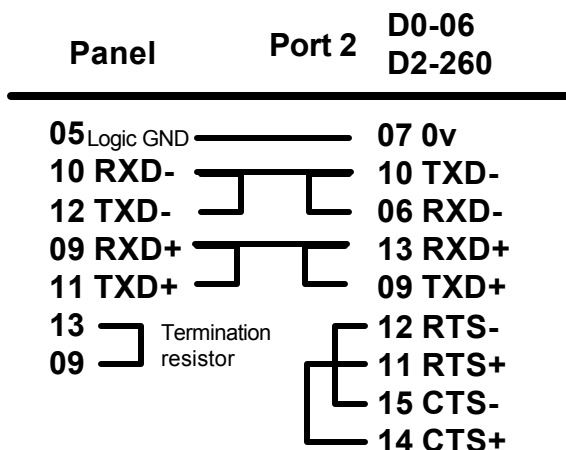
EZ-Touch EZ Text RS 422/485 wire connections to DirectLogic PLCs.

Product group: EZ- Touch EZ Text
Information Type: Communications
Last revised : 30 Oct, 2003



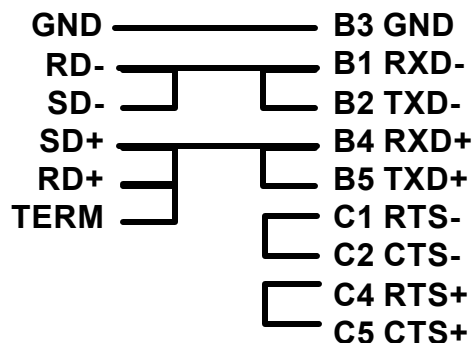
EZ Text Panels do NOT support RS-485.

RS-485



EZ-COMCON3
Breakout adapter for
EZ- Touch/ Text Panels

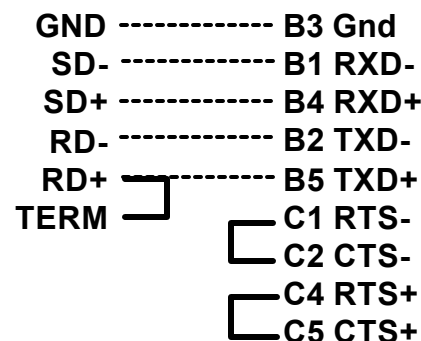
DN-15TB
Port breakout adapter pinout for HD15
(port2) with 06, and, 260 CPU ONLY!!



RS-422

EZ-COMCON3
Breakout adapter for
EZ- Touch/ Text Panels

DN-15TB
Port breakout adapter for HD15
(port2) connector on 06,250,250-1,260
CPU



Termination Resistor basics

The termination resistor is placed between the **RXD-** and the **RXD+** terminals on the PLC side.

The Term Resistor value is based on the characteristic impedance of the cable.

Jumper **pin 13** to **pin 9 (RXD+)** to enable the built in 120 ohm Termination resistor of the EZ Touch and EZ Text panels.

Note:
For RS-422/485 connections we recommend Belden 8102, 9729, and 9841 cable or equivalent.

THE INFORMATION PROVIDED IN AUTOMATIONDIRECT.COM TECHNOTES IS PROVIDED "AS IS" WITHOUT A GUARANTEE OF ANY KIND. These documents are provided by our technical support department to assist others. We do not guarantee that the data is suitable for your particular application, nor do we assume any responsibility for them in your application.