

Date Issued: 9/28/01

Revision: Original

Product: Hitachi inverter accessory ICS-1 and ICS-3

Subject: Cable pin layout

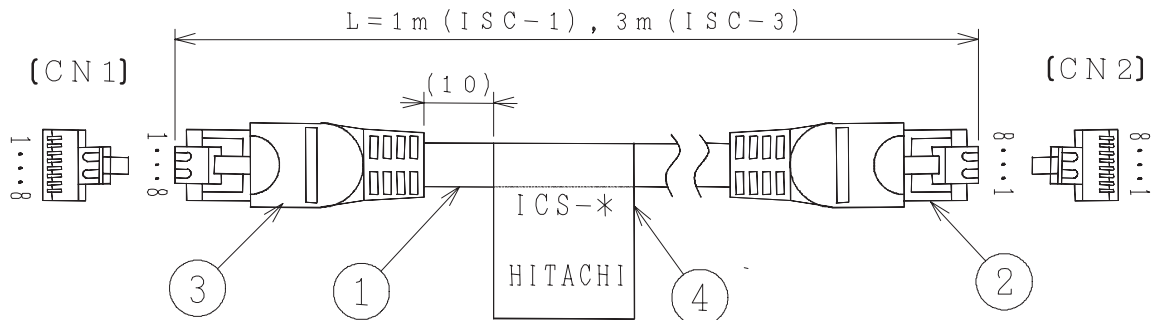
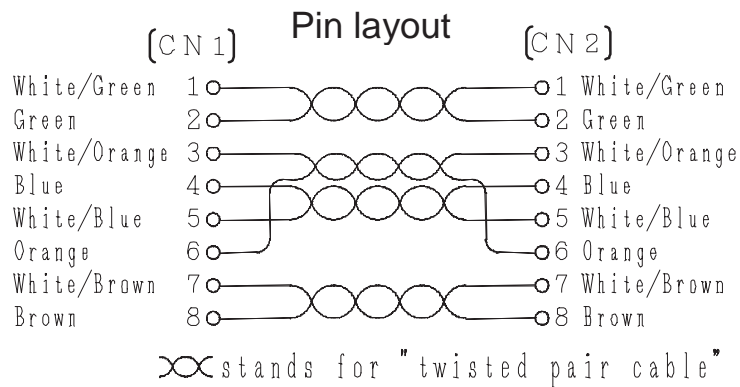


Figure 1



Technical Assistance

If you have any questions regarding this Technote, please contact us at 770-844-4200 for further assistance.